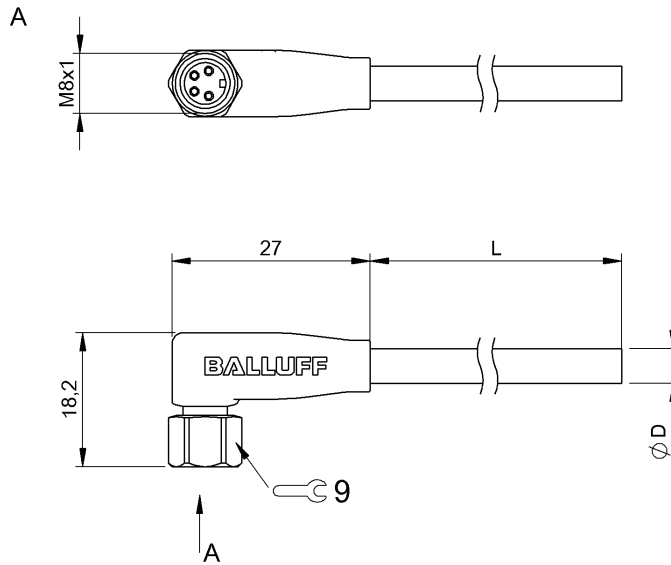


Single-Ended Cordsets
BCC S324-0000-10-003-VX44T2-050
Order Code: BCC0AHC

BALLUFF



Basic features

Approval/Conformity	CE cULus Ecolab WEEE
---------------------	-------------------------------

Electrical connection

Bending radius min., fixed cable	5 x D
Bending radius min., flexible cable	10 x D
Cable	PVC Yellow, 5 m, drag chain compatible
Cable diameter D	5.00 mm ± 0.15 mm
Cable, bending cycles min.	2 mil.
Conductor cross-section	22 AWG
Connection	M8x1-Female, angled, 4-pin, A-coded
Connector configuration	right-angle
Number of conductors	4
Number of pins	4
System	Molded

Electrical data

Cable rated voltage AC max.	300 V
Cable rated voltage DC max.	300 V
Operating voltage Ub	60 VDC / 60 VAC
Rated current (40 °C)	4.0 A

Environmental conditions

Cable temperature, drag chain	-5...60 °C
Cable temperature, fixed routing	-40...105 °C
Cable temperature, flexible routing	-5...105 °C
IP rating	IP67, IP69K

Interface

Switching output	Complementary
------------------	---------------

Material

Cable jacket, material	PVC
Material contact carrier	PUR
Material contacts	Bronze
Material cover nut	1.4404 stainless steel
Material grip	PUR

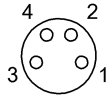
Mechanical data

Acceleration max., drag chain	5 m/s ²
Cable jacket, color	Yellow
Cable length L	5.00 m
Cable properties	drag chain compatible
Horizontal travel permitted, drag chain	5 m
Tightening torque pigtail	0.4 Nm
Traverse speed max., drag chain	200 m/min
Vertical travel permitted, drag chain	2 m

Remarks

Bulk cable approval per UL-AWM Style 2661 & CSA AWM I/II A/B
 Enclosure rating per IEC 60529 or 20653, only in screwed state with the associated mating piece.

Connector Drawings



PIN 1: brown
PIN 2: white
PIN 3: blue
PIN 4: black

Wiring Diagrams

